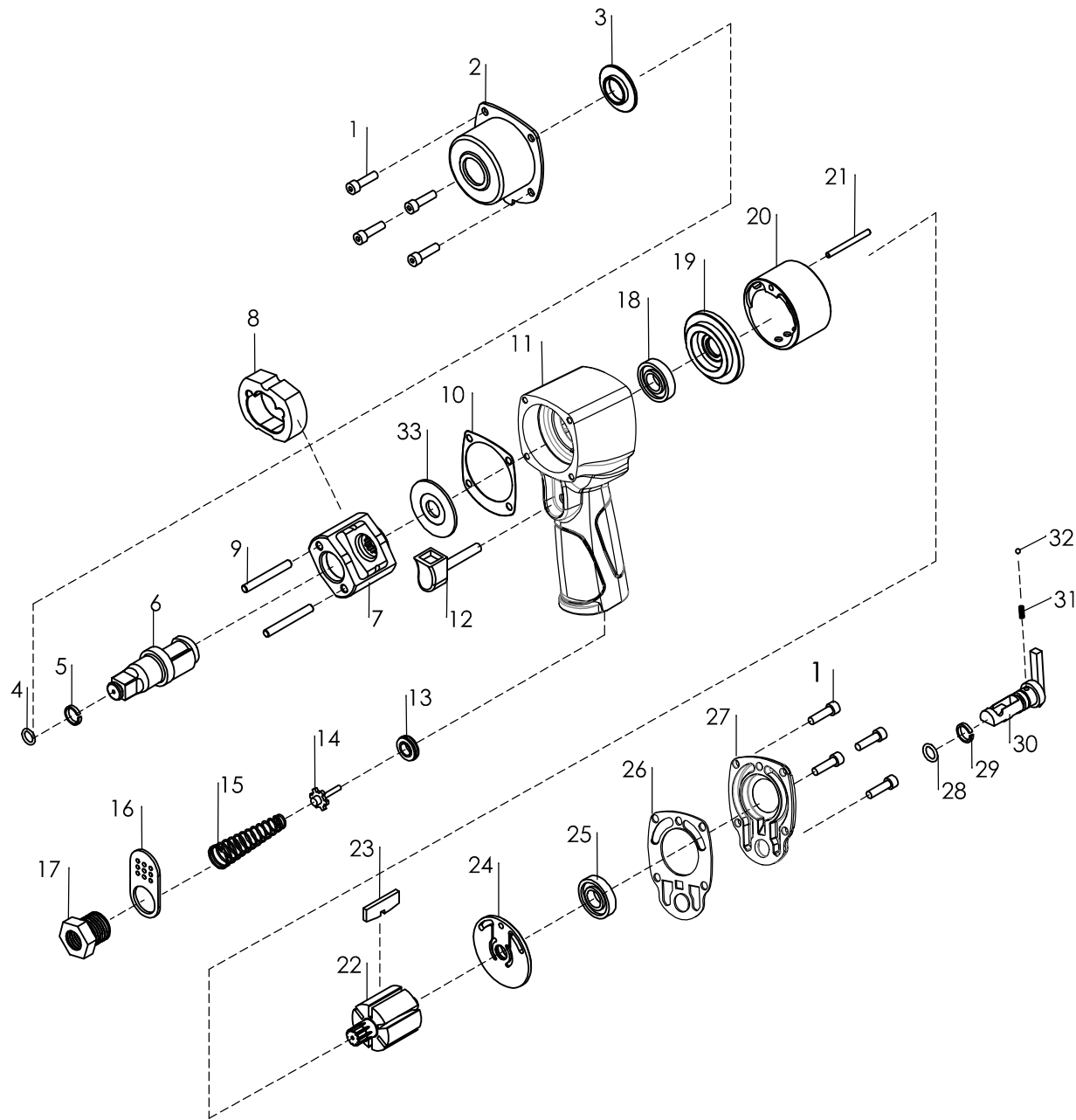


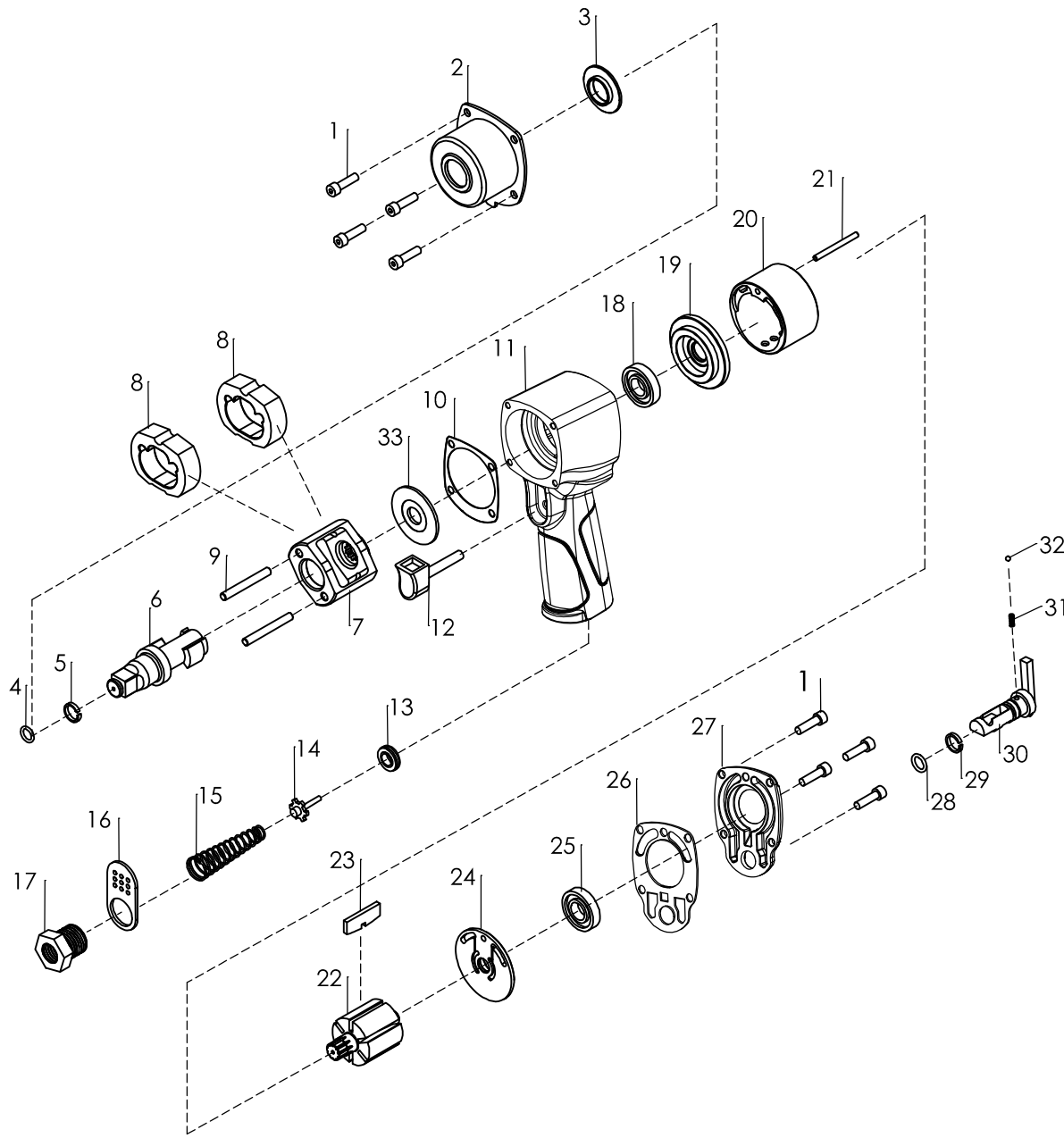
1/2" □M□□ HAMMER DR.IMPACT WRENCH



Z A-93 ショートインパクトレンチ (グリーン)

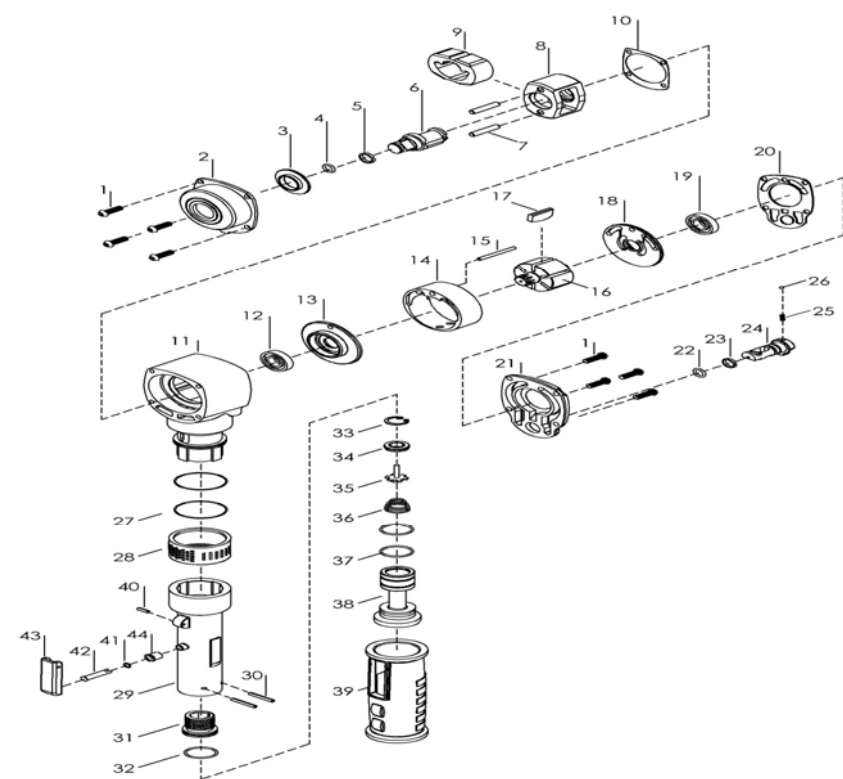
序號 No	Part Name	數量 QTY
1	Socket Cap Screw Washer	8
2	Hammer Housing	1
3	Hammer Case Bushing	1
4	Retainer Ring	1
5	O-Ring	1
6	Drive Anvil	1
7	Hammer Cage	1
8	Hammer Cam	1
9	Hammer Pin	2
10	Motor housing gasket	1
11	Housing	1
12	Trigger	1
13	Throttle Bushing	1
14	Throttle Valve	1
15	Throttle Spring	1
16	Air Exhaust Deflector	1
17	Air inlet bushing	1
18	Ball Bearing R8	1
19	Front End Plate	1
20	Cylinder	1
21	Dowel liner	1
22	Rotor	1
23	Rotor Blade	6
24	Rear End Plate	1
25	Ball Bearing R6	1
26	Motor Housing Gasket	1
27	Housing Cap	1
28	O-Ring	1
29	E-Ring	1
30	Regulator Knob	1
31	Regulator Valve Detent Spring	1
32	Regulator Valve Detent Ball	1
33	Thrust Plate	1

1/2" TWIN HAMMER DR.IMPACT WRENCH



R S S 98 ショートインパクトレンチ (赤ボディ)

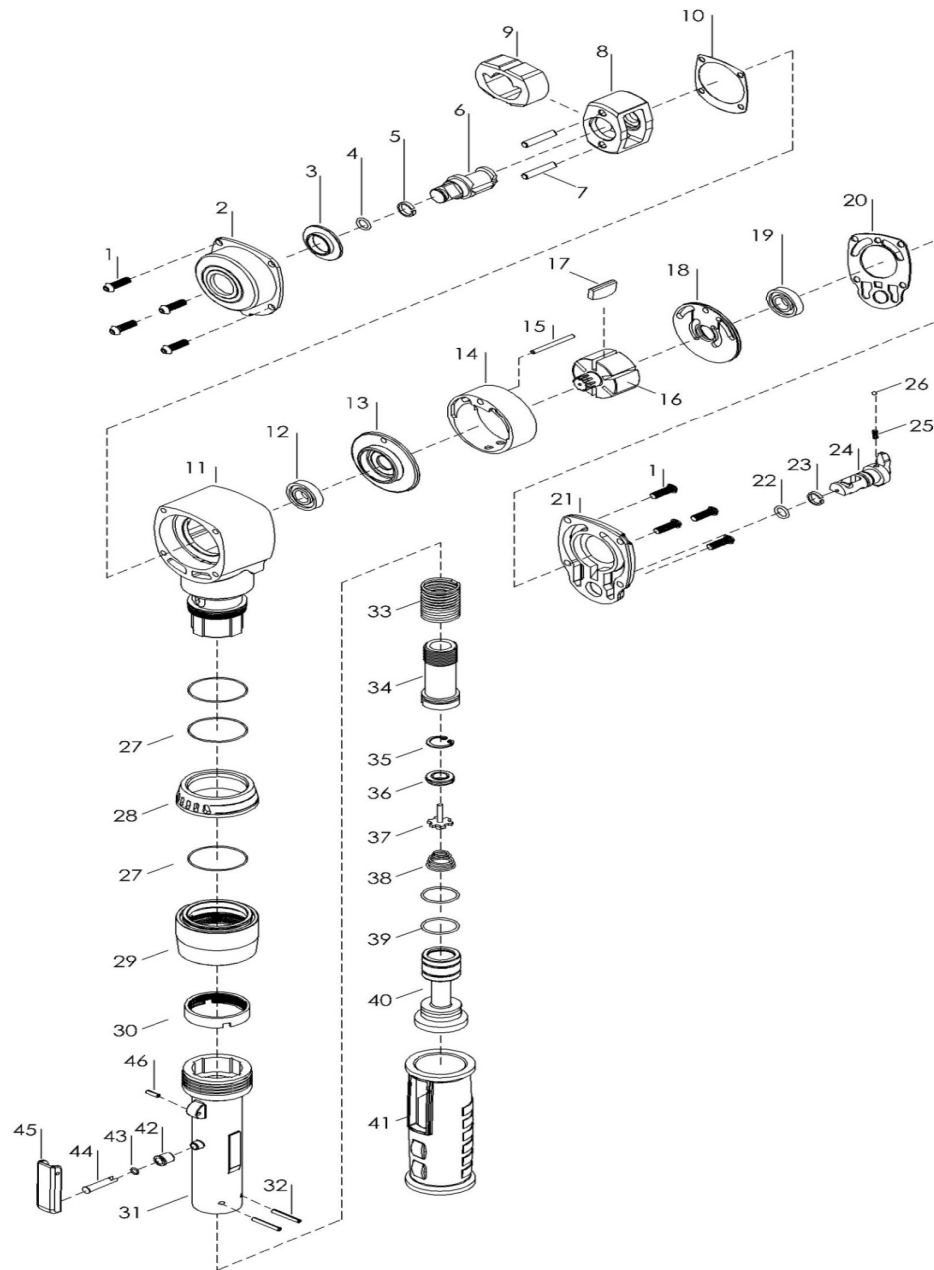
序號 No	Part Name	數量 QTY
1	Socket Cap Screw Washer	8
2	Hammer Housing	1
3	Hammer Case Bushing	1
4	Retainer Ring	1
5	O-Ring	1
6	Drive Anvil	1
7	Hammer Cage	1
8	Hammer Cam	2
9	Hammer Pin	2
10	Motor housing gasket	1
11	Housing	1
12	Trigger	1
13	Throttle Bushing	1
14	Throttle Valve	1
15	Throttle Spring	1
16	Air Exhaust Deflector	1
17	Air inlet bushing	1
18	Ball Bearing R8	1
19	Front End Plate	1
20	Cylinder	1
21	Dowel liner	1
22	Rotor	1
23	Rotor Blade	6
24	Rear End Plate	1
25	Ball Bearing R6	1
26	Motor Housing Gasket	1
27	Housing Cap	1
28	O-Ring	1
29	E-Ring	1
30	Regulator Knob	1
31	Regulator Valve Detent Spring	1
32	Regulator Valve Detent Ball	1
33	Thrust Plate	1



NO	ITEM	Q'TY	
1	13PAIW1288S01	Socket Cap Screw Washrr	8
2	13PAIW1288S02	Hammer Housing	1
3	13PAIW1288S03	Hammer Case Bushing	1
4	13PAIW1288S04	O-Ring	1
5	13PAIW1288S05	Retainer Ring	1
6	13PAIW1288S06	Drive Anvil	1
7	13PAIW1288S07	Hammer Pin	2
8	13PAIW1288S08	Hammer Cage	1
9	13PAIW1288S09	Hammer Cam	1
10	13PAIW1288S10	Motor Housing Gasket	1
11	13PAIW1288S11	Housing	1
12	13PAIW1288S12	Ball Bearing R8	1
13	13PAIW1288S13	Front nd Plate	1
14	13PAIW1288S14	Cylinder	1
15	13PAIW1288S15	Dowel liner	1
16	13PAIW1288S16	Rotor	1
17	13PAIW1288S17	Rotor Blade	6
18	13PAIW1288S18	Rear End Plate	1
19	13PAIW1288S19	Ball Bearing R8	1
20	13PAIW1288S20	Motor Housing Gasket	1
21	13PAIW1288S21	Housing Cap	1
22	13PAIW1288S22	O-Ring	1
NO	ITEM	Q'TY	
23	13PAIW1288S23	E-Ring	1
24	13PAIW1288S24	Regulator Knob	1
25	13PAIW1288S25	Regulator Valve Detent Spring	1
26	13PAIW1288S26	Regulator Valve Detent Ball	1
27	13PAIW1288S27	O-Ring	2
28	13PAIW1288S28	Air Exhaust Deflector	1
29	13PAIW1288S29	handle	1
30	13PAIW1288S30	Spring Pin	2
31	13PAIW1288S31	Conjunction Screw	1
32	13PAIW1288S32	O-Ring	1
33	13PAIW1288S33	Retainer Ring	1
34	13PAIW1288S34	Throttle Bushing	1
35	13PAIW1288S35	Throttle Valve	1
36	13PAIW1288S36	Throttle Spring	1
37	13PAIW1288S37	O-Ring	2
38	13PAIW1288S38	Air Inlet Bushing	1
39	13PAIW1288S39	Pouches	1
40	13PAIW1288S40	Spring Pin	1
41	13PAIW1288S41	O-Ring	1
42	13PAIW1288S42	Board axis	1
43	13PAIW1288S43	Trigger	1
44	13PAIW1288S44	Throttle valve	1

G F-88 アンクルインパクトレンチ

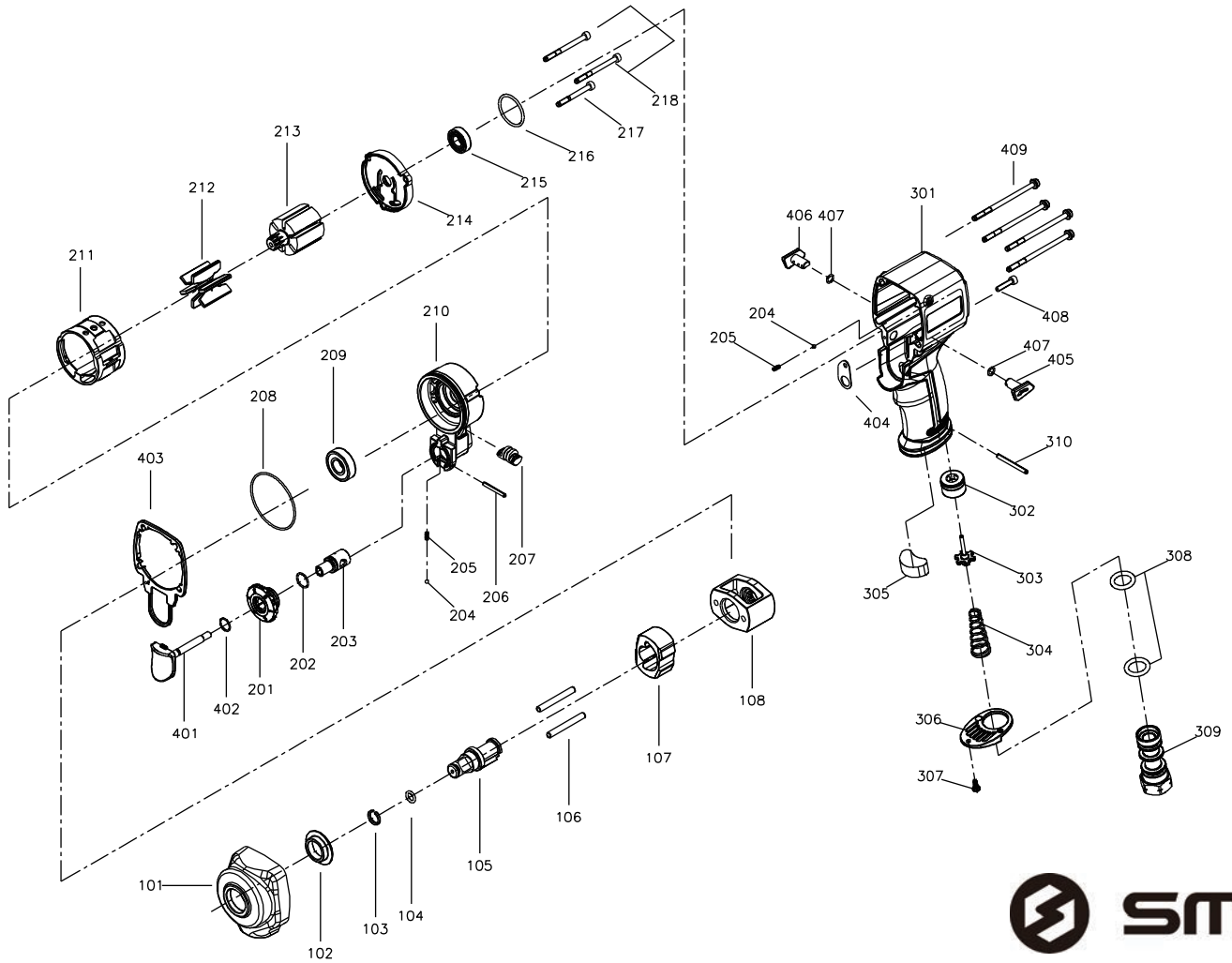
GF88N 1/2" DR. JUMBO HAMMER IMPACT WRENCH



Item	Description	Q'TY
1	Socket Cap Screw W/Washer	8
2	Hammer Housing	1
3	Hammer Case Bushing	1
4	O-Ring	1
5	Retainer Ring	1
6	Drive Anvil	1
7	Hammer Pin	2
8	Hammer Cage	1
9	Hammer Cam	1
10	Hammer Housing Gasket	1
11	Housing	1
12	Ball Bearing R8	1
13	Front End Plate	1
14	Cylinder	1
15	Dowel Iner	1
16	Rotor	1
17	Rotor Blade	6
18	Rear End Plate	1
19	Ball Bearing R8	1
20	Motor Housing Gasket	1
21	Housing Cap	1
22	O-Ring	1
23	E-Ring	1
24	Regulator Knob	1
25	Regulator Valve Detent Spring	1
26	Regulator Valve Detent Ball	1
27	O-Ring	3
28	Air Exhaust Deflector	1
29	Locking Nut Knob	1
30	Locking Nut	1
31	Handle	1
32	Spring Pin	2
33	Conjunction Screw Spring	1
34	Conjunction Screw	1
35	Retainer Ring	1
36	Throttle Bushing	1
37	Throttle Valve	1
38	Throttle Spring	1
39	O-Ring	3
40	Air Inlet Bushing	1
41	Handle Grip	1
42	Trigger Bushing	1
43	O-Ring	1
44	Trigger Valve	1
45	Trigger	1
46	Spring Pin	1

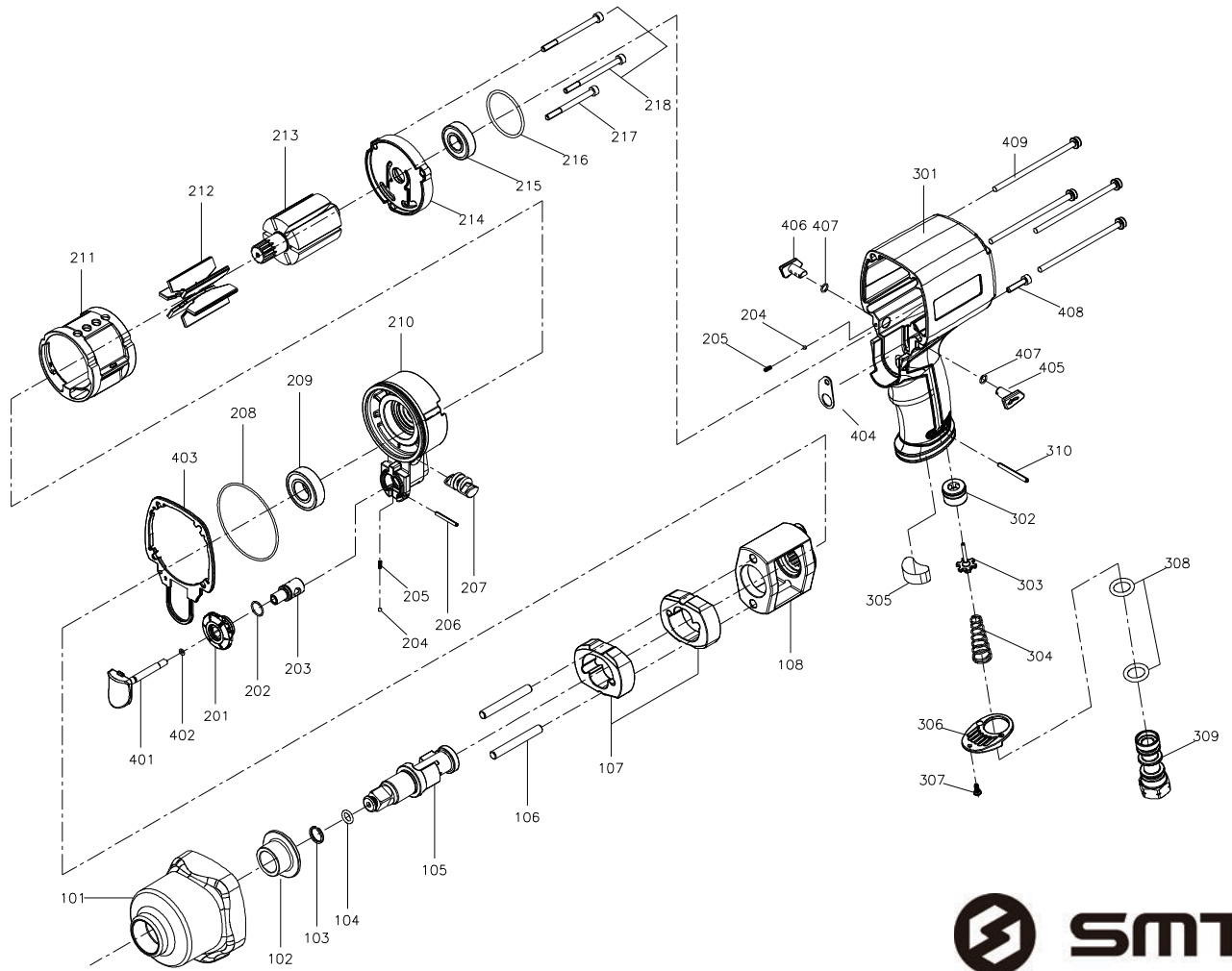
G F -88N アンクルインパクトレンチ グリップ可変タイプ

U T 12 1/2" Mini Impact Wrench (Jumbo Hammer)



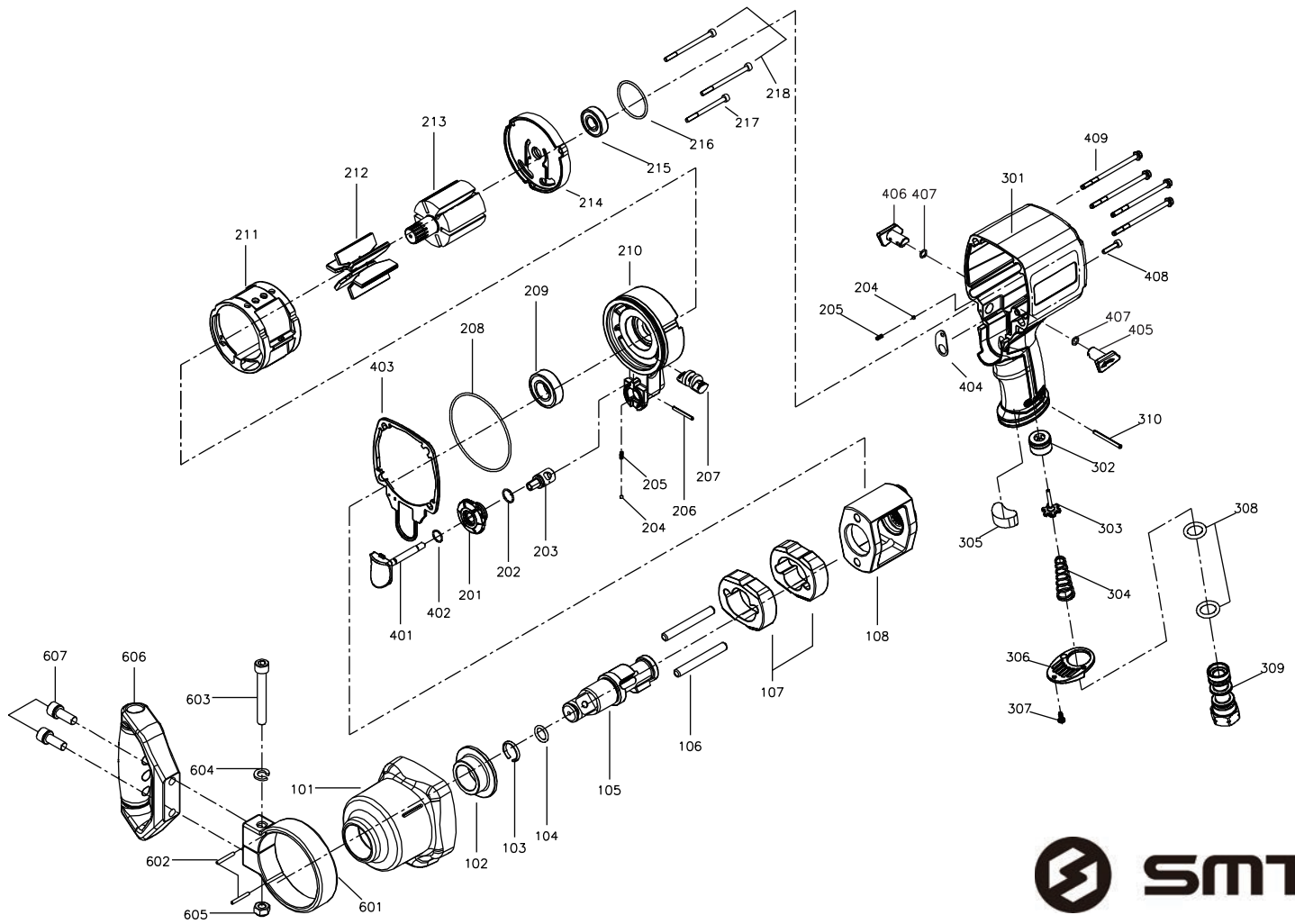
NO	Part No	Description	Q'ty	NO	Part No	Description	Q'ty
101	A5302-0071	HAMMER CASE	1	216	A0200-6341	O-RING 25*1.5	1
102	A5902-0011	ANVIL BUSHING	1	217	A0000-2511	SCREW M4*32	1
103	A5903-0001	SOCKET RETAINER	1	218	A0000-2501	SCREW M4*42	2
104	A0200-1101	O-RING 7*2	1	301	B5400-1071	HOUSING ASS'Y+AIR INLET SET	1
105	A5802-0001	ANVIL	1	302	B5500-0241	VALVE SEAT ASS'Y	1
106	A5802-0011	HAMMER PIN	2	303	B5500-0251	VALVE STEM ASS'Y	1
107	A5802-0021	HAMMER	1	304	A0104-0111	SPRING	1
108	A5802-0031	HAMMER FRAME	1	305	A0203-0351	MUFFLER	1
201	B5500-0181	REGULATOR ROUND ASS'Y	1	306	A5301-0001	EXHAUST DEFLECTOR	1
202	A0200-1081	O-RING 8*1	1	307	A0003-0631	SCREW M3*8	1
203	A5501-0081	REGULATOR STEM	1	308	A0200-0931	O-RING 12*3	2
204	A0009-0051	STEEL BALL	2	309	A5502-0081	AIR INLET	1
205	A0100-3971	SPRING 2.5*5L	2	310	A0011-0201	SPRING PIN 3*30	1
206	A0011-0371	SPRING PIN	1	401	B5500-0881	TRIGGER ASS'Y	1
207	A5501-0091	REVERSE STEM	1	402	A0200-5141	O-RING 3*1	1
208	A0200-6301	O-RING 44*1.5	1	403	A5504-0121	GASKET	1
209	A0206-0121	RALL BEARING	1	404	A5504-0001	GASKET	1
210	B5700-0071	FRONT END PLATE ASS'Y	1	405	B5500-0581	REVERSE BUTTON	1
211	A5700-0021	CYLINDER	1	406	B5500-0601	FORWARD BUTTON	1
212	A5703-0021	ROTOR BLADE	6	407	A0200-1971	O-RING 7.6*1	2
213	A5702-0021	ROTOR	1	408	A0000-2231	NYLOCK SHC SCREW	1
214	A5701-0011	REAR END PLATE	1	409	A0000-2491	SCREW M4*67	4
215	A0206-0131	RALL BEARING	1				

U T S 34 Impact Wrench



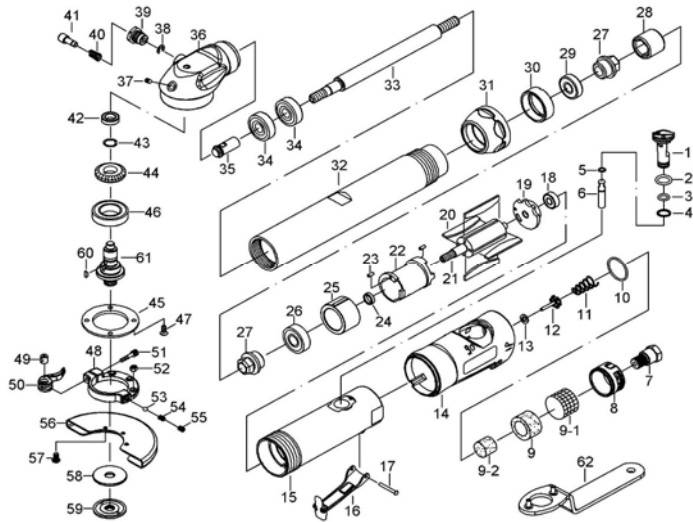
NO	Part No	Description	Q'ty	NO	Part No	Description	Q'ty
101	A5302-0081	HAMMER CASE	1	216	A0200-0521	O-RING	1
102	A5902-0071	ANVIL BUSHING	1	217	A0000-2451	SCREW	1
103	A5903-0021	SOCKET RETAINER	1	218	A0000-2461	SCREW	2
104	A0200-3541	O-RING	1	301	B5400-1131	HOUSING ASS'Y+AIR INLET SET	1
105	A5800-0101	ANVIL	1	302	B5500-0241	VALVE SEAT ASS'Y	1
106	A5800-0021	HAMMER PIN	2	303	B5500-0251	VALVE STEM ASS'Y	1
107	A5800-0011	HAMMER	2	304	A0104-0111	SPRING	1
108	A5800-0001	HAMMER FRAME	1	305	A0203-0351	MUFFLER	1
201	B5500-0181	REGULATOR ROUND ASS'Y	1	306	A5301-0001	EXHAUST DEFLECTOR	1
202	A0200-1081	O-RING	1	307	A0003-0631	SCREW	1
203	A5501-0081	REGULATOR STEM	1	308	A0200-0931	O-RING	2
204	A0009-0051	STEEL BALL	1	309	A5502-0081	AIR INLET	1
205	A0100-3971	SPRING	1	310	A0011-0201	SPRING PIN	1
206	A0011-0371	SPRING PIN	1	401	B5500-0941	TRIGGER ASS'Y	1
207	A5501-0031	REVERSE STEM	1	402	A0200-5141	O-RING	1
208	A0200-5591	O-RING	1	403	A5504-0111	GASKET	1
209	A0206-0011	DEEP GROOVE BALL BEARING	1	404	A5504-0001	GASKET	1
210	B5700-0051	FRONT END PLATE ASS'Y	1	405	B5500-0531	REVERSE BUTTON	1
211	A5700-0001	CYLINDER	1	406	B5500-0551	FORWARD BUTTON	1
212	A5703-0001	ROTOR BLADE	6	407	A0200-1971	O-RING	2
213	A5702-0001	ROTOR	1	408	A0000-2231	NYLOCK SHC SCREW	1
214	A5701-0001	REAR END PLATE	1	409	A0000-2441	SCREW	4
215	A0206-0001	DEEP GROOVE BALL BEARING	1				

U T T 1 1" Impact Wrench

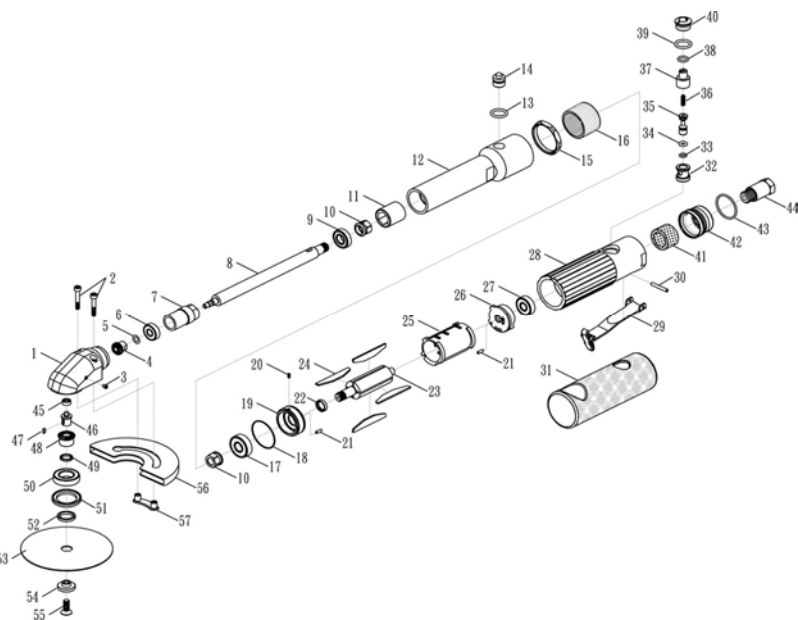


NO	Part No	Description	Q'ty	NO	Part No	Description	Q'ty
101	A5302-0201	HAMMER CASE	1	301	B5400-1101	HOUSING ASS'Y+AIR INLET SET	1
102	A5902-0111	ANVIL BUSHING	1	302	B5500-0261	VALVE SEAT ASS'Y	1
103	A5903-0031	SOCKET RETAINER	1	303	B5500-0271	VALVE STEM ASS'Y	1
104	A0200-1341	O-RING	1	304	A0104-0111	SPRING	1
105	A5800-0151	ANVIL	1	305	A0203-0361	MUFFLER	1
106	A5800-0131	HAMMER PIN	2	306	A5301-0011	EXHAUST DEFLECTOR	1
107	A5800-0121	HAMMER	2	307	A0003-0631	SCREW	1
108	A5800-0111	HAMMER CAGE	1	308	A0200-6321	O-RING	2
109	A0005-2201	C-RING	1	309	A5502-0141	AIR INLET	1
201	B5500-0181	REGULATOR ROUND ASS'Y	1	310	A0011-0201	SPRING PIN	1
202	A0200-6361	O-RING	1	401	B5500-0911	TRIGGER ASS'Y	1
203	A5501-0171	REGULATOR STEM	1	402	A0200-5141	O-RING	1
204	A0009-0051	STEEL BALL	1	403	A5504-0141	GASKET	1
205	A0100-3971	SPRING	1	404	A5504-0051	GASKET	1
206	A0011-0371	SPRING PIN	1	405	B5500-0571	REVERSE BUTTON	1
207	A5501-0161	REVERSE STEM	1	406	B5500-0591	FORWARD BUTTON	1
208	A0200-6331	O-RING	1	407	A0200-6651	O-RING	2
209	A0206-0111	RALL BEARING	1	408	A0000-1541	NYLOK SCREW	1
210	B5700-0081	FRONT END PLATE ASS'Y	1	409	A0000-2541	SCREW	4
211	A5700-0031	CYLINDER	1	601	A5303-0011	HANDLE	1
212	A5703-0041	ROTOR BLADE	6	602	A0006-2771	PIN	2
213	A5702-0031	ROTOR	1	603	A0000-2981	SCREW	1
214	A5701-0091	REAR END PLATE	1	604	A0005-0351	WASHER	1
215	A0206-0001	DEEP GROOVE BALL BEARING	1	605	A0004-0261	NYLON NUT	1
216	A0200-0521	O-RING	1	606	B5300-0221	HANDLE ASS'Y	1
217	A0000-2551	SCREW	1	607	B0000-0661	SCREW SET	2
218	A0000-2531	SCREW	2				

11ACT06 ロンググライグライダー



NO.	ITEM NUMBER	Description	QTY
01	13PACT0601	REGULATOR	1
02	13PACT0602	O-RING (P10)	1
03	13PACT0603	O-RING (P9)	1
04	13PACT0604	SNAP RING	1
05	13PACT0605	O-RING (3.5*1.4)	1
06	13PACT0606	VALVE STEM	1
07	13PACT0607	AIR INLET	1
08	13PACT0608	MUFFLER	1
09	13PACT0609	SILENCER	2
09-1	13PACT060901	STAINLESS MESH	1
09-2	13PACT060902	SILENCER	1
10	13PACT0610	O-RING (26.7*1.78)	1
11	13PACT0611	SPRING	1
12	13PACT0612	VALVE	1
13	13PACT0613	WASHER (6*13.8*1.6T)	1
14	13PACT0614	PROTECTING RUBBER	1
15	13PACT0615	HOUSING	1
16	13PACT0616	SAFETY THROTTLE	1
17	13PACT0617	SPRING PIN	1
18	13PACT0618	BEARING (626ZZ)	1
19	13PACT0619	REAR PLATE	1
20	13PACT0620	ROTOR BLADE	4
21	13PACT0621	ROTOR	1
22	13PACT0622	CYLINDER	1
23	13PACT0623	PIN (2.5*6L)	2
24	13PACT0624	BEARING SPACER	1
25	13PACT0625	FRONT PLATE	1
26	13PACT0626	BEARING (6000ZZ)	1
27	13PACT0627	COUPLING NUT	2
28	13PACT0628	COUPLING	1
29	13PACT0629	BEARING (699)	1
30	13PACT0630	NUT	1
31	13PACT0631	CLAMP NUT	1
32	13PACT0632	SPINDLE HOUSING	1
33	13PACT0633	SPINDLE	1
34	13PACT0634	BEARING (609)	2
35	13PACT0635	PINION GEAR (13T)	1
36	13PACT0636	ANGLE HOUSING	1
37	13PACT0637	OIL CUP	1
38	13PACT0638	SNAP RING	1
39	13PACT0639	NUT	1
40	13PACT0640	SPRING	1
41	13PACT0641	PIN	1
42	13PACT0642	BEARING (696)	1
43	13PACT0643	SNAP RING	1
44	13PACT0644	PINION GEAR (19T)	1
45	13PACT0645	FACE PLATE	1
46	13PACT0646	BEARING (6902)	1
47	13PACT0647	SCREW (M4*10)	4
48	13PACT0648	HANDLE LINK	1
49	13PACT0649	BUSHING	1
50	13PACT0650	TRIGGER	1
51	13PACT0651	SCREW (M4*30L)	1
52	13PACT0652	NUT	3
53	13PACT0653	STEEL BALL	1
54	13PACT0654	SPRING	1
55	13PACT0655	SCREW (M4*5L)	1
56	13PACT0656	DISC COVER	1
57	13PACT0657	SCREW (M4*8L)	3
58	13PACT065802	WASHER (10mm)	1
58	13PACT065803	WASHER (15mm)	1
59	13PACT0659	DISC NUT	1
60	13PACT0660	KEY	1
61	13PACT0661	SHAFT	1
62	13PACT0662	WRENCH	1
	13PACT06042	#42,43A,44,47,60,61	1
	13PACT0638S	Part 38 39 40 41 for 11ACT06	1
	13PACT0648S	Part 48-55 for 11ACT06	1



NO.	ITEM NUMBER	Description
1	11ACT01001	Gear Housing
2	11ACT01002	Screw
3	11ACT01003	Grease Fitting
4	11ACT01004	Pinion Gear
5	11ACT01005	Washer
6	11ACT01006	Ball Bearing
7	11ACT01007	Bolt Screw
8	11ACT01008	Drive Shaft
9	11ACT01009	Ball Bearing
10	11ACT01010	Transfer Nut
11	11ACT01011	Transfer Ring
12	11ACT01012	Drive Housing
13	11ACT01013	O-Ring
14	11ACT01014	Lock Button
15	11ACT01015	Lock Ring
16	11ACT01016	Housing Screw
17	11ACT01017	Ball Bearing
18	11ACT01018	O-Ring
19	11ACT01019	Front End Plate
20	11ACT01020	Pin
21	11ACT01021	Spring Pin
22	11ACT01022	Antilock Ring
23	11ACT01023	Rotor
24	11ACT01024	Blade
25	11ACT01025	Cylinder
26	11ACT01026	Rear End Plate
27	11ACT01027	Ball Bearing
28	11ACT01028	Motor Housing
29	11ACT01029	Throttle Lever
30	11ACT01030	Throttle Lever Pin
31	11ACT01031	Rubber
32	11ACT01032	Valve Bushing
33	11ACT01033	O-Ring
34	11ACT01034	O-Ring
35	11ACT01035	Valve Stem
36	11ACT01036	Spring
37	11ACT01037	Air Regulator
38	11ACT01038	O-Ring
39	11ACT01039	O-Ring
40	11ACT01040	Valve Screw
41	11ACT01041	Muffler Fiber
42	11ACT01042	Exhaust Deflector
43	11ACT01043	O-Ring
44	11ACT01044A	Air Inlet 1/4"NPT
44	11ACT01044B	Air Inlet 1/4"PT
44	11ACT01044C	Air Inlet 1/4"PF
45	11ACT01045	Ball Bearing
46	11ACT01046	Drive Shaft
47	11ACT01047	Key
48	11ACT01048	Bevel Gear
49	11ACT01049	Washer
50	11ACT01050	Ball Bearing
51	11ACT01051	Nut
52	11ACT01052	Ring
53	11ACT01053	Disc
54	11ACT01054	Flange
55	11ACT01055	Locking Screw
56	11ACT01056	Cover
57	11ACT01057	Cover Guide

I -9315 カuttingグラインダー